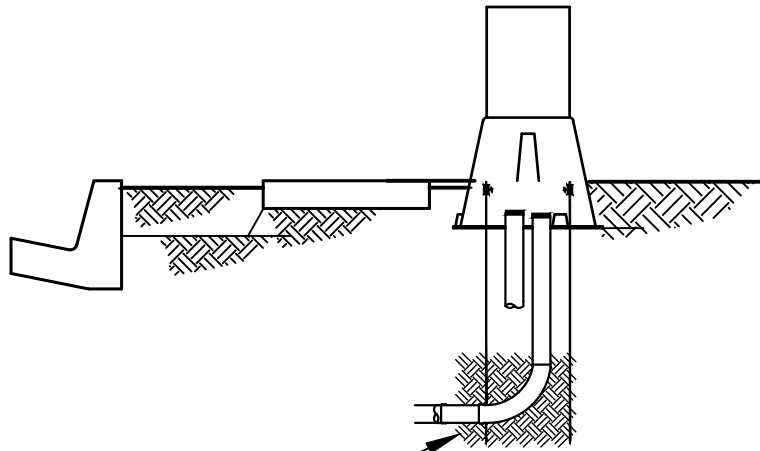


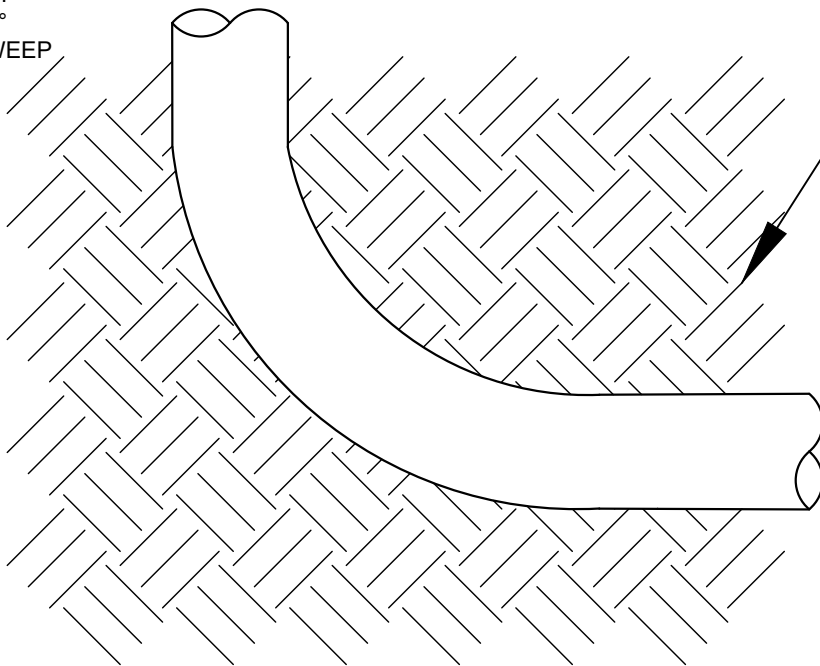
DRAWING: LPRS DWG-05.3 2017



THRUST  
BLOCK

( SECTION VIEW )

4" OR 6"  
RMC CONDUIT  
VERTICAL 90°  
ELBOW LONG SWEEP



1/2 YARD FLOWABLE  
FILL ON  
INSIDE RADIUS

**NOTES:**

1. SEE REQUIREMENTS IN 4.2.1.



**REQUIREMENTS & STANDARDS**  
**POWER TRENCH & CONDUIT**  
**THRUST BLOCK (EXAMPLE)**

**RESIDENTIAL & COMMERCIAL SUBDIVISION**

DWG: **4.2.3**

REV. 0.00

BY: EB/

DATE: 01/5/17