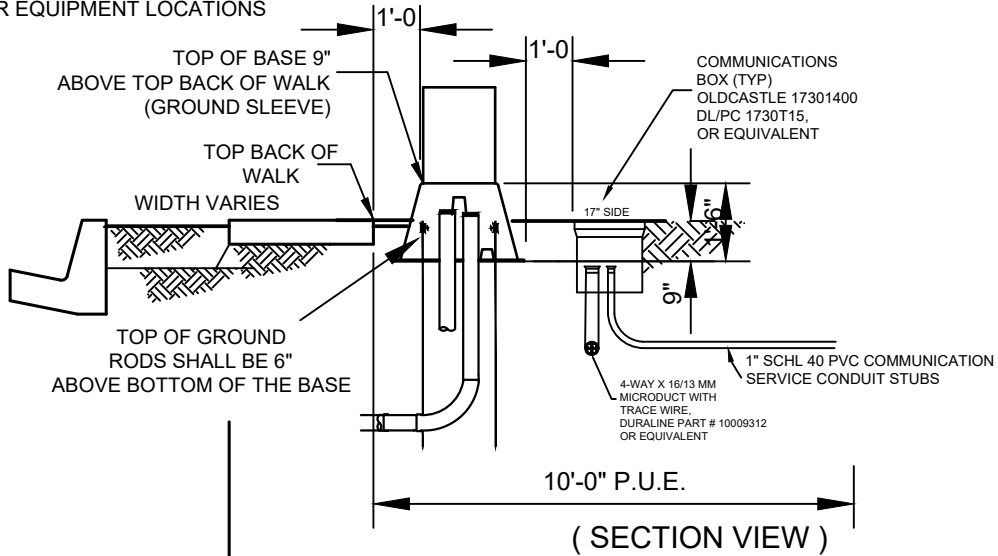
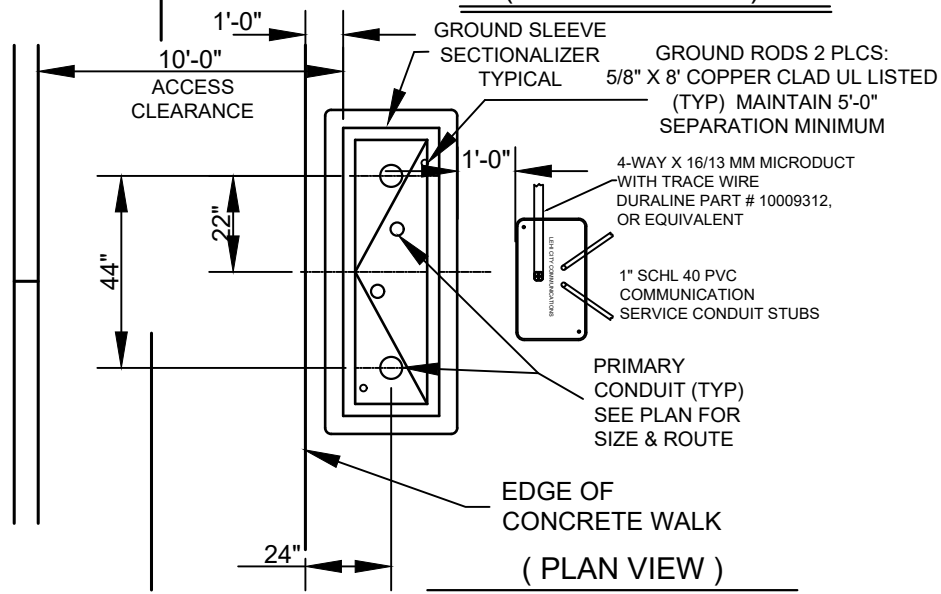


CENTER ALL EQUIPMENT ON LOT LINE AS SHOWN ON THE CIRCUIT PLAN. SEE CIRCUIT PLAN FOR TRANSFORMER SIZES AND OTHER EQUIPMENT LOCATIONS

(SHORT BASE)



(SECTION VIEW)



(PLAN VIEW)

NOTES:

1. DEVELOPER/CONTRACTOR SHALL PROVIDE AND INSTALL ALL CONDUITS AND GROUND RODS
2. LEHI POWER SHALL PROVIDE EQUIPMENT BASES AND COMMUNICATION BOXES TO BE INSTALLED BY DEVELOPER/CONTRACTOR
3. BASES SHALL BE PLACED ON FULL DEPTH COMPACT ENGINEERED FILL - COMPACTED TO 95% MAX DENSITY. EXTEND COMPACTED BASE MATERIAL AS REQUIRED TO MAINTAIN STABLE SUPPORT. REFER TO 4.2.1
4. SEE CIRCUIT PLAN FOR EQUIPMENT LOCATIONS.
5. DO NOT OBSTRUCT ACCESS TO POWER BOXES; MAINTAIN 3' MINIMUM CLEARANCE EXCEPT AS NOTED.
6. PROVIDE 10' CLEARANCE ON CABINET ACCESS SIDES.
7. LEHI POWER SHALL PROVIDE AND SET CABINETS; PROVIDE, PULL & TERMINATE CONDUCTORS
8. EQUIPMENT BASE AND BOXES SHALL BE SET LEVEL AND ALIGNED WITH THE WALK OR ADJACENT ENTITIES
9. CONDUIT AND EQUIPMENT BASES SHALL BE PLACED AFTER CURB, GUTTER AND WALK TO ASSURE CORRECT PLACEMENT WITHIN THE EASEMENT.



REQUIREMENTS & STANDARDS
**GROUND SLEEVE/
SECTIONALIZER**
(TYPICAL LOCATION IN THE P.U.E.)

DWG: **4.1.4**

REV. 1.00

BY: GWK/BT

DATE: 6/23/20