

GENERAL LANDSCAPE SPECIFICATIONS

1. PLANTING SPECIFICATIONS:

1.1. ALL LANDSCAPING & SPRINKLER SYSTEM INSTALLATIONS SHALL BE INSPECTED & APPROVED BY THE PARKS DEPARTMENT. PRIOR TO COMMENCING ANY LANDSCAPING & SPRINKLER SYSTEM WORK, APPROVAL SHALL BE OBTAINED BY THE CONTRACTOR/DEVELOPER IN WRITING FROM THE PARKS DEPARTMENT.

2. SCOPE OF WORK:

2.1. THE WORK CONSISTS OF FURNISHING ALL EQUIPMENT, LABOR, & MATERIALS NECESSARY FOR THE LANDSCAPE AREAS INDICATED ON THE PLANS.
 2.2. PLANT TOTALS ON THE PLANT LIST SHALL BE CONSISTENT WITH THE ILLUSTRATED QUANTITIES ON THE PLANS. THE PARKS DEPARTMENT SHALL APPROVE ALL SIZES & QUANTITIES.

3. DRAWINGS & SPECIFICATIONS:

3.1. THE LANDSCAPE ARCHITECT WILL FURNISH THE PARKS DEPARTMENT WITH FOUR PRELIMINARY SETS OF BLUELINE PRINTS FOR REVIEW, SHOWING ALL REQUIRED LANDSCAPING WORK. AFTER INITIAL REVIEW BY THE CITY, THE LANDSCAPE ARCHITECT/ENGINEER SHALL MAKE ALL NOTED CORRECTIONS AS DISCUSSED WITH STAFF. THE LANDSCAPE ARCHITECT/ENGINEER SHALL SUBMIT FOUR FINAL SETS OF BLUELINE PRINTS.
 3.2. IN THE EVENT OF A DEPARTURE FROM THE LOCATION INDICATED ON THE PLANS, THE CONTRACTOR SHALL CLEARLY NOTIFY THE PARKS DEPARTMENT & INDICATE SUCH BY SIGNATURE OF CONTRACTOR & AUTHORIZED CITY OFFICIAL ON ALL SETS OF PLANS.

4. INSPECTIONS & PROCEDURES

4.1. THE CONTRACTOR SHALL CALL PARKS DEPARTMENT REPRESENTATIVE PRIOR TO START OF CONSTRUCTION ACTIVITIES.
 4.2. CONTRACTOR SHALL GIVE A MINIMUM OF ONE BUSINESS DAY NOTICE FOR ALL INSPECTIONS.
 4.3. A TREE & SHRUB SPOTTING INSPECTION SHALL BE CALLED FOR WHEN PLANT MATERIAL IS ON THE SITE & BEFORE BEING PLANTED.
 4.4. THE DEVELOPER, AFTER INSTALLING THE IRRIGATION SYSTEM & LANDSCAPING, SHALL REQUEST FROM THE CITY, INSPECTION & APPROVAL.

4.5. IF THE IRRIGATION SYSTEM & LANDSCAPING ARE SATISFACTORY, THE DEVELOPER SHALL BE GRANTED WRITTEN APPROVAL FROM THE CITY.

4.6. THE DEVELOPER SHALL MAINTAIN SAID IRRIGATION SYSTEM & LANDSCAPING UNTIL ACCEPTED BY THE CITY.

4.7. AT THE END OF THE ONE YEAR PERIOD, THE CITY WILL INSPECT THE IRRIGATION SYSTEM & LANDSCAPING & IF IT IS SATISFACTORY, THE CITY WILL RELEASE THE CONTRACTOR/DEVELOPER FROM THE ONE YEAR GUARANTEE.

4.8. AT THE END OF THE ONE YEAR PERIOD, IF EITHER THE IRRIGATION SYSTEM OR LANDSCAPING IS FOUND UNSATISFACTORY, THE DEVELOPER SHALL BE RESPONSIBLE FOR ALL REQUIRED CORRECTIONS. CORRECTIONS MAY INCLUDE EITHER EXTENSION OF THE ONE YEAR PERIOD, RE-INSTALLING IRRIGATION PARTS & PLANT REPLACEMENT OR BOTH AT CONTRACTOR'S EXPENSE.

4.9. THE BONDS POSTED FOR CONSTRUCTION OF THE APPROVED PLAN SHALL NOT BE EXONERATED UNTIL THE MAINTENANCE OF LANDSCAPING HAS BEEN ASSUMED BY THE CITY & THE GUARANTEE PERIOD HAS BEEN SATISFIED.

5. MAINTENANCE

5.1. PLANT MAINTENANCE WORK SHALL CONSIST OF WATERING, WEEDING, CARING FOR PLANTS, EDGING & MOWING THE LAWN, FERTILIZING & PERFORMING THE FOLLOWING PLANT ESTABLISHMENT WORK:

5.1.1. THE ENTIRE PROJECT SHALL BE SATISFACTORILY MAINTAINED FOR A PERIOD OF 30 DAYS & THE COMPLETION OF AT LEAST 4 MOWING'S (ONCE EVERY 7 DAYS). THE MAINTENANCE PERIOD WILL BEGIN WHEN ALL ITEMS OF WORK HAVE BEEN COMPLETED AS SPECIFIED IN THE FOREGOING ARTICLES & TO THE SATISFACTION OF THE PARKS DEPARTMENT & PUBLIC WORKS DEPARTMENT 30 DAYS AFTER INSPECTION. IF PROJECT IS NOT ACCEPTED, DEVELOPER SHALL BE REQUIRED TO CONTINUE MAINTENANCE UNTIL PROJECT IS ACCEPTED.

J1

GENERAL LANDSCAPE SPECIFICATIONS

SCALE: NTS

PLAN VIEW DETAIL



LEHI CITY
 LANDSCAPE / IRRIGATION
 STANDARD DETAILS
 REQUIRED ON ALL CITY PROJECTS

PARKS DEPARTMENT
LANDSCAPE STANDARDS
SCALE : NO SCALE
DATE: 11/9/2016
REVISION:
REVISION DATE:

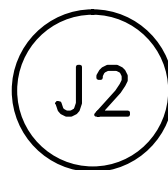
- 5.1.2. THE LAWN SHALL BE COMPLETELY IRRIGATED ACCORDING TO THE APPROVAL OF THE PARKS DEPARTMENT UNTIL WRITTEN ACCEPTANCE OF WORK. WATER SHALL BE APPLIED TO ALL LAWN AREAS BY MEANS OF THE SPRINKLING SYSTEM, & THE AREAS SHALL BE KEPT MOIST, BUT NOT WET, UNTIL THE FIRST CUTTING OF GRASS. AFTER FIRST CUTTING, WATER LAWN TO MAINTAIN A THRIVING CONDITION.
- 5.1.3. LAWNS SHALL BE KEPT GREEN & VIGOROUSLY GROWING AT ALL TIMES.
- 5.1.4. IF THE PROJECT HAS NOT BEEN ACCEPTED AT THE END OF THE 30 DAY MAINTENANCE PERIOD AN APPLICATION OF FERTILIZER (AS PER THE PLANTING & GROUND COVER SPECIFICATION SECTION) SHALL BE APPLIED AS DIRECTED ON THE 35TH & 60TH DAY & EVERY 45 DAYS THEREAFTER UNTIL ACCEPTED & APPROVED BY THE PARKS DEPT.
- 5.1.5. AT COMPLETION OF MAINTENANCE PERIOD, ALL AREAS INCLUDING SIDEWALKS & GUTTERS SHALL BE CLEAN & FREE OF DEBRIS & WEEDS. ALL PLANT MATERIALS SHALL BE LIVE, HEALTHY & FREE OF INFESTATIONS. THE CONTRACTOR SHALL OBTAIN WRITTEN RELEASE FROM THE PARKS DEPARTMENT BEFORE ENDING MAINTENANCE OBLIGATIONS.

6. OBSTRUCTIONS BELOW GROUND:

- 6.1. PRIOR TO EXCAVATION FOR PLANTING OR THE DRIVING OR PLACING OF STAKES, THE CONTRACTOR SHALL LOCATE ALL ELECTRICAL CABLES, CONDUITS & OTHER UTILITY LINES SO THAT PROPER PRECAUTIONS MAY BE TAKEN NOT TO DISTURB OR DAMAGE SUCH IMPROVEMENTS. IN THE EVENT OF A CONFLICT BETWEEN SUCH LINES & PLANT LOCATIONS, PROMPTLY NOTIFY THE APPROPRIATE UTILITY AGENCY. FAILURE TO FOLLOW THIS PROCEDURE PLACES THE RESPONSIBILITY & EXPENSE UPON THE CONTRACTOR FOR MAKING ANY & ALL REPAIRS.
- 6.2. REMOVE ROCK, ROAD BASE, OR OTHER UNDERGROUND OBSTRUCTIONS, EXCEPT UTILITY LINES OR PORTIONS OF PROJECT CONSTRUCTION, TO A MINIMUM DEPTH OF ONE FOOT TO PERMIT PROPER INSTALLATION OF LAWNS & PLANTING.

7. FINISH GRADING & SOIL PREPARATION

- 7.1. PLANTING AREAS SHALL CONFORM TO THE UNIFORM GRADE BY FLOATING OR HAND RAKING.
- 7.2. IT SHALL BE THE RESPONSIBILITY OF THE LANDSCAPE CONTRACTOR TO ENSURE PROPER DRAINAGE. SURFACE DRAINAGE SHALL BE MODELED TO FACILITATE THE NATURAL RUNOFF OF WATER. LOW SPOTS & POCKETS MUST BE GRADED TO DRAIN PROPERLY.
- 7.3. FINISH GRADE OF ALL LAWN AREAS SHALL BE 1/2 INCH BELOW GRADE OF ADJACENT PAVEMENT OF ANY KIND. ROLL ALL LAWN AREAS WITH A WATER FILLED ROLLER TO OBTAIN UNIFORM COMPACTION & LEVEL SURFACES (50 POUNDS MINIMUM WEIGHT).
- 7.4. IMPORT A MINIMUM OF 6 INCHES OF SCREENED CERTIFIED TOPSOIL AS PER LEHI CITY DEPARTMENT SPECIFICATION. NO ROAD BASE IS ALLOWED IN PLANTING AREAS FOR MINIMUM OF 1 FOOT IN DEPTH.



GENERAL LANDSCAPE SPECIFICATIONS

SCALE: NTS

PLAN VIEW DETAIL



**LEHI CITY
LANDSCAPE / IRRIGATION
STANDARD DETAILS
REQUIRED ON ALL CITY PROJECTS**

PARKS DEPARTMENT
LANDSCAPE STANDARDS
SCALE : NO SCALE
DATE: 11/9/2016
REVISION:
REVISION DATE:

8. PLANTS TO BE FURNISHED:

8.1. THE OWNER/CONTRACTOR SHALL FURNISH PLANTS AS LISTED ON THE DRAWINGS & HEREIN SPECIFIED. ALL QUANTITIES & SIZES SHALL BE AS FOLLOWS:

- 8.1.1. PLANT SELECTION SHOULD BE BASED ON ADAPTABILITY TO LANDSCAPE AREA, SOIL AND CLIMATE, DESIRED EFFECT, COLOR TEXTURE, & MATURE SIZE.
- 8.1.2. ALL PLANTS DELIVERED TO THE SITE MUST BE FIRST CLASS REPRESENTATIVES OF THEIR SPECIES OR VARIETIES, FREE FROM DISFIGURATION, WITH WELL DEVELOPED BRANCH SYSTEMS & VIGOROUS & FIBROUS ROOT SYSTEMS. PLANTS NOT CONFORMING TO THESE REQUIREMENTS MUST BE REMOVED, WHETHER IN PLACE OR NOT & REPLACED WITH ACCEPTABLE PLANT MATERIAL AT THE CONTRACTOR'S EXPENSE.
- 8.1.3. ALL PLANT MATERIAL MUST MEET THE SPECIFICATIONS OF FEDERAL, STATE & COUNTY LAWS REQUIRING INSPECTION FOR PLANT DISEASE & INSECT INFESTATION. TAG ALL PLANTS WITH NAME & SIZE OF THE PLANTS IN ACCORDANCE WITH STANDARD OF PRACTICE RECOMMENDED BY THE AMERICAN ASSOCIATION OF NURSERYMEN. FINAL DETERMINATION OF PLANT SPECIES OR VARIETY WILL BE MADE BY THE PARKS DEPARTMENT.
- 8.1.4. ROOT CONDITIONS OF PLANTS FURNISHED IN CONTAINERS MAY BE DETERMINED BY THE PARKS DEPARTMENT. THE SELECTION OF PLANTS SHALL BE MADE BY THE LANDSCAPE ARCHITECT WITH FINAL APPROVAL RESERVED BY THE PARKS DEPARTMENT & ANY PLANT RENDERED UNSUITABLE AS SAMPLES WILL NOT BE ACCEPTED BY THE CITY & MUST BE REPLACED AT THE OWNER'S/CONTRACTOR'S EXPENSE.

9. SUBSTITUTIONS:

9.1. NO SUBSTITUTIONS FOR THE INDICATED PLANT MATERIALS WILL BE

PERMITTED UNLESS APPROVED IN ADVANCE & IN WRITING BY THE PLANNING COMMISSION & PARKS DEPARTMENT. ANY SUBSTITUTIONS SHALL BE OF A QUALITY & SIZE EQUAL TO THAT SPECIFIED ON THE PLANS. EXCEPT FOR THE VARIATIONS SO AUTHORIZED, ALL SUBSTITUTE PLANT MATERIALS SHALL CONFORM TO THE REQUIREMENTS OF THESE SPECIFICATIONS.

10. STAKING:

10.1. STAKE ALL TREES THAT ARE DETERMINED TO REQUIRE A STAKE (CITY DISCRETION) AT THE TIME OF PLANTING. PLACE TWO 1½ INCH – 2 INCH DIAMETER WOOD TREE STAKES 1 TO 2 FEET FROM THE CENTER & DRIVING STAKE 24 INCHES INTO SOLID GROUND. FASTEN THE TREE TO THE UPPER END OF THE STAKE IN AT LEAST TWO LOCATIONS USING "CINCH TIES" OR EQUIVALENT (SEE DETAIL L3). METAL T-POSTS WILL NOT BE APPROVED AS TREE STAKES.

11. GROUND COVER:

- 11.1. PREPARE GROUND COVER AREAS AS SPECIFIED UNDER SOIL PREPARATION, INCLUDED COMMERCIAL FERTILIZER (16-16-16) AT THE RATE OF 6 LBS PER 1,000 SQUARE FEET.
- 11.2. SPACING OF GROUND COVER SHALL BE NO GREATER THAN 8" ON CENTER.

12. SPACING:

12.1. WHEN PLANT MATERIAL IS SPACED IN ROWS THE TOTAL DIMENSION SHALL BE VERIFIED & THE PLANTS EQUALLY SPACED WITHIN THE DESIGNATED AREA. WHERE PLANT MATERIAL IS SHOWN IN A "LOOSE" PATTERN, THE CONTRACTOR SHALL SPACE THE MATERIAL AS SHOWN ON THE APPROVED PLAN MAINTAINING AN UNEQUAL SPACING. GROUND COVER MATERIAL SHALL BE AT THE SPACING INDICATED (A MAX. DISTANCE OF 8" ON CENTER).

J3 **LANDSCAPE SPECIFICATIONS**
 SCALE: NTS

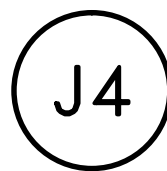
PLAN VIEW DETAIL



**LEHI CITY
 LANDSCAPE / IRRIGATION
 STANDARD DETAILS
 REQUIRED ON ALL CITY PROJECTS**

PARKS DEPARTMENT
LANDSCAPE STANDARDS
SCALE : NO SCALE
DATE: 11/9/2016
REVISION:
REVISION DATE:

1. CONTRACTOR TO SUBMIT A TOPSOIL TEST REPORT BY LICENSED LABORATORY PRIOR TO INSTALLATION OF LANDSCAPING. TOPSOIL SHALL MEET MINIMUM SPECIFIED PHYSICAL REQUIREMENTS. AMEND TOPSOIL PER SOIL TEST RESULTS.
2. IF NECESSARY, SUBMIT PROPOSED AMENDMENTS & APPLICATION RATES NECESSARY TO BRING TOPSOIL UP TO MINIMUM SPECIFIED REQUIREMENTS. SEE TOPSOIL REQUIREMENTS BELOW.
3. TOPSOIL SHALL BE WEED FREE, FERTILE, LOOSE, FRIABLE SOIL MEETING THE FOLLOWING CRITERIA:
 - 3.1. CHEMICAL CHARACTERISTICS:
 - a. pH 5.5 to 8.0.
 - b. SOLUBLE SALTS: LESS THAN 3.0 mmhos/cm.
 - c. SODIUM ABSORPTION RATIO (SAR): LESS THAN 6.0.
 - d. ORGANIC MATTER: GREATER THAN ONE PERCENT.
 - 3.2. PHYSICAL CHARACTERISTICS:
 - a. GRADATION AS DEFINED BY USDA TRIANGLE OF PHYSICAL CHARACTERISTICS AS MEASURED BY HYDROMETER.
 - (1) SAND: 15 TO 60 PERCENT.
 - (2) SILT: 10 TO 60 PERCENT.
 - (3) CLAY: 5 TO 30 PERCENT.
 - b. CLEAN & FREE FROM TOXIC MINERALS & CHEMICALS, NOXIOUS WEEDS, ROCKS LARGER THAN OR EQUAL TO 1-1/2 INCH IN ANY DIMENSION, & OTHER OBJECTIONABLE MATERIALS.
 - c. SOIL TO MEET THESE CHARACTERISTICS:
 - (1) SOIL SHALL NOT CONTAIN MORE THAN FIVE PERCENT BY VOLUME OF ROCKS MEASURING OVER 1/4 INCH IN LARGEST SIZE.
 - (2) SOIL SHALL BE TOPSOIL IN NATURE.
 - (3) SOIL RESEMBLING ROAD BASE OR OTHER LIKE MATERIALS ARE NOT ACCEPTABLE.
3. BOTH CLAY SOILS & SANDY SOILS PRESENT PROBLEMS FOR WATER EFFICIENCY. ADDING COMPOST TO SOILS & CYCLING SPRINKLER TIMES CAN GREATLY INCREASE WATER-EFFICIENCY. A GENERAL RECIPE FOR AMENDING THE SOIL FOR A 100 SQUARE FOOT AREA IS AS FOLLOWS:
4. COVER THE AREA & THEN THOROUGHLY MIX OR TILL IN THE FOLLOWING AMENDMENTS TO A DEPTH OF AT LEAST TEN INCHES.
5. INSTALL THE FOLLOWING SOIL AMENDMENTS:
 - 5.1. 4 INCHES OF ORGANIC MATTER SUCH AS PEAT MOSS OR COMPOST
 - 5.2. 4 POUNDS OF IRONITE OR EQUIVALENT PRODUCT
 - 5.3. 25 POUNDS OF COMPOSTED MANURE
 - 5.4. IF SOIL HAS HIGH CLAY CONTENT ADDS 2 INCHES OF COARSE SAND
 - 5.5. IF SOIL HAS HIGH SAND CONTENT ADD 2 INCHES OF HIGH CLAY CONTENT SOIL.



TOPSOIL REQUIREMENTS

SCALE: NTS

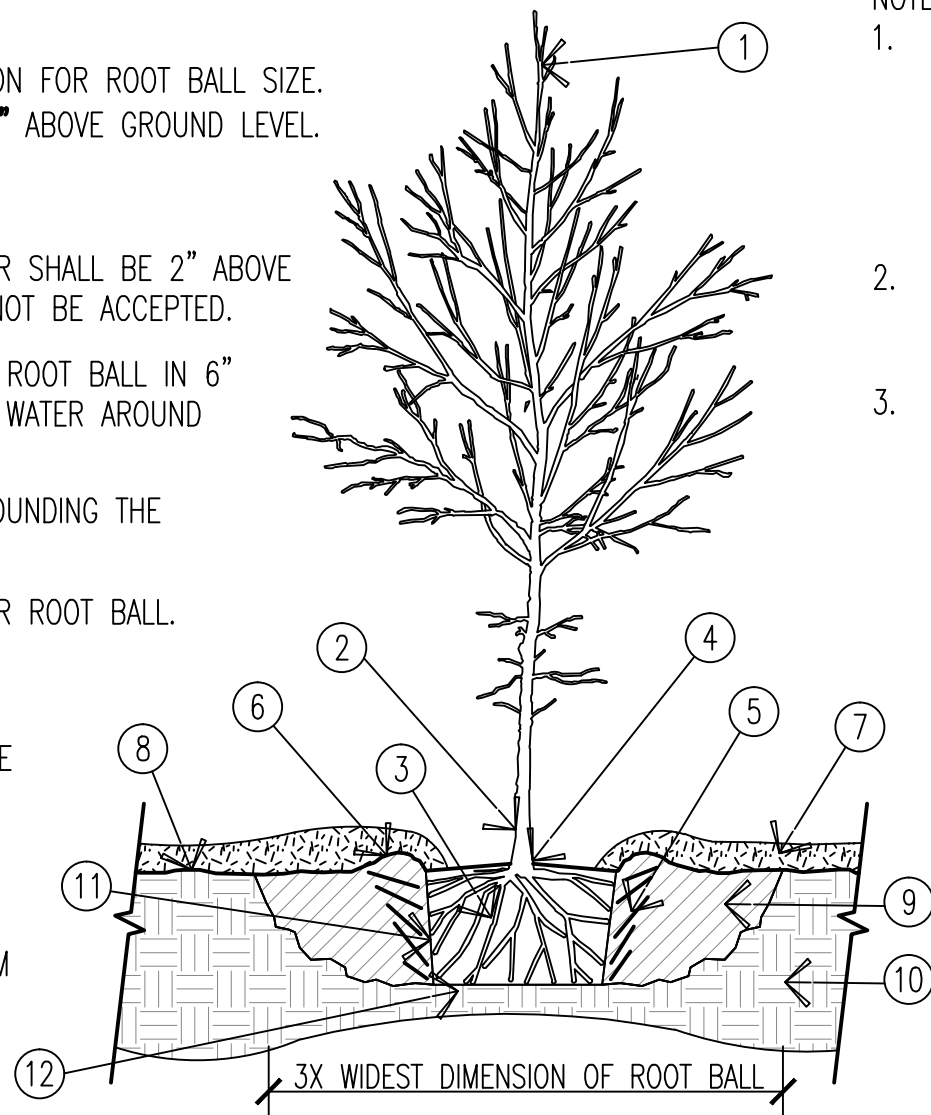
PLAN VIEW DETAIL



LEHI CITY
LANDSCAPE / IRRIGATION
STANDARD DETAILS
REQUIRED ON ALL CITY PROJECTS

PARKS DEPARTMENT
TOPSOIL REQUIREMENTS
SCALE : NO SCALE
DATE: 11/9/2016
REVISION:
REVISION DATE:

- ① CENTRAL LEADER
- ② TRUNK CALIPER SHALL MEET ANSI Z60 CURRENT EDITION FOR ROOT BALL SIZE. TREE SHALL BE A MINIMUM 2" CALIPER, MEASURED **20"** ABOVE GROUND LEVEL.
- ③ ROOT BALL, MODIFIED AS REQUIRED.
- ④ TOP OF ROOT BALL SHALL BE AT GRADE. ROOT COLLAR SHALL BE 2" ABOVE FINISHED GRADE. ANY TREE PLANTED TOO DEEP WILL NOT BE ACCEPTED.
- ⑤ PRIOR TO MULCHING, LIGHTLY TAMP SOIL AROUND THE ROOT BALL IN 6" LIFTS TO BRACE TREE. DO NOT OVER COMPACT. POUR WATER AROUND THE ROOTBALL TO SETTLE THE BACKFILL.
- ⑥ ROUND-TOPPED SOIL BERM 4" HIGH X 8" WIDE SURROUNDING THE PERIPHERY OF THE ROOT BALL.
- ⑦ 4" MULCH LAYER. NO MORE THAN 1" MULCH TO COVER ROOT BALL.
- ⑧ FINISHED GRADE
- ⑨ DIG & TURN THE SOIL TO REDUCE COMPACTION TO THE AREA & DEPTH SHOWN. SLOPE SIDES.
- ⑩ EXISTING SOIL
- ⑪ REMOVE CONTAINERS, WIRE, BASKETS, ETC. PRIOR TO PLANTING. COMPLETELY REMOVE TWINE & BURLAP FROM B&B STOCK.
- ⑫ BOTTOM OF ROOT BALL TO REST ON EXISTING OR RECOMPACTED SOIL.



NOTES:

- 1. THE SPACING & SPECIES OF TREES SHALL CONFORM TO THE REQUIREMENTS OF THE PLANNING COMMISSION. ANY SUBSTITUTIONS MUST BE APPROVED BY LEHI CITY.
- 2. TREES SHOULD BE SELECTED BASED ON THE AREA'S SOIL & CLIMATE.
- 3. TREES SHALL BE KEPT:
 - a. OUTSIDE OF THE INTERSECTION SIGHT TRIANGLES AS DEFINED WITHIN SECTION 12 OF THE DEVELOPMENT CODE.
 - b. NOT LESS THAN 20' FROM LAMP STANDARDS & POWER POLES.
 - c. NOT LESS THAN 10' FROM FIRE HYDRANTS.
 - d. NOT LESS THAN 5' FROM SERVICE WALKS & DRIVEWAYS.
 - e. NOT LESS THAN 5' FROM WATER METERS.
- 4. THE DEVELOPER SHALL PAY THE INSTALLATION COST OF PARKWAY TREES. PARKWAY TREES SHALL BE INSTALLED ON ALL STREETS, IN CONFORMANCE TO THE STANDARD DETAILS, INCLUDING ARTERIAL STREETS, AS REQUIRED BY PLANNING & ZONING.
- 5. TREES TO BE INSPECTED BY LEHI CITY AT DELIVERY AND/OR PRIOR TO PLANTING TO ENSURE QUALITY & SIZE.
- 6. TREES TO BE INSPECTED DURING PLANTING BY LEHI CITY TO ENSURE PROPER INSTALLATION.
- 7. TREES MAY BE ACCEPTED AFTER 30 DAYS MAINTENANCE TIME FROM INSPECTION, PROVIDED IT IS WEED FREE & OF NORMAL ACCEPTABLE GROWTH FOR THE TIME OF YEAR.
- 8. PLANT TREE TO ITS NORMAL DEPTH & PUDDLE WITH A RUNNING STREAM OF WATER FROM A HOSE. PREPARE PLANTING HOLE & STAKE TREE (SEE DETAIL L3) AS REQUIRED BY CITY REPRESENTATIVE.

L1 TREE WITH BERM (EXISTING SOIL NOT MODIFIED)
SCALE: NTS

SECTION VIEW DETAIL

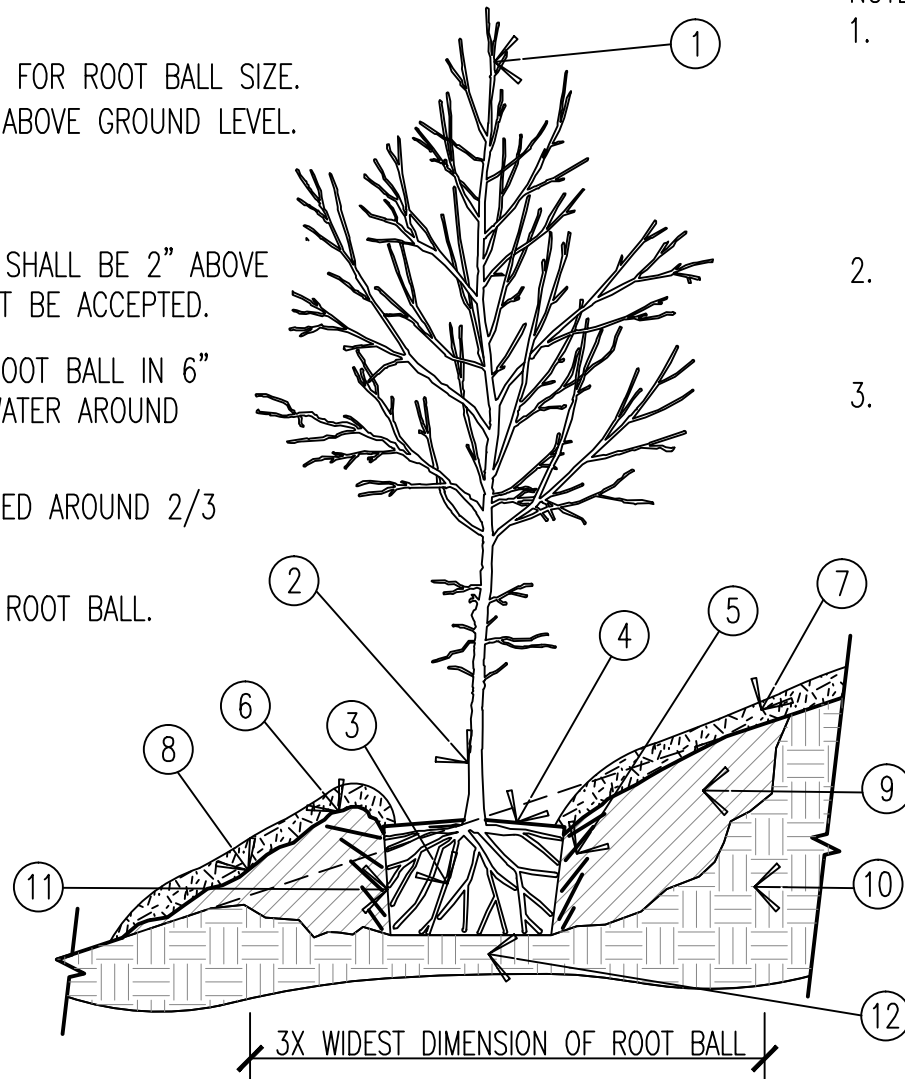
MEANDERING SIDEWALK TYPICAL PLANTING PLAN



LEHI CITY
LANDSCAPE / IRRIGATION
STANDARD DETAILS
REQUIRED ON ALL CITY PROJECTS

PARKS DEPARTMENT
TYP. TREE PLANTING
SCALE : NO SCALE
DATE: 11/9/2016
REVISION:
REVISION DATE:

- ① CENTRAL LEADER
- ② TRUNK CALIPER SHALL MEET ANSI Z60 CURRENT EDITION FOR ROOT BALL SIZE. TREE SHALL BE A MINIMUM 2" CALIPER, MEASURED **20"** ABOVE GROUND LEVEL.
- ③ ROOT BALL, MODIFIED AS REQUIRED.
- ④ TOP OF ROOT BALL SHALL BE AT GRADE. ROOT COLLAR SHALL BE 2" ABOVE FINISHED GRADE. ANY TREE PLANTED TOO DEEP WILL NOT BE ACCEPTED.
- ⑤ PRIOR TO MULCHING, LIGHTLY TAMP SOIL AROUND THE ROOT BALL IN 6" LIFTS TO BRACE TREE. DO NOT OVER COMPACT. POUR WATER AROUND THE ROOTBALL TO SETTLE THE BACKFILL.
- ⑥ ROUND-TOPPED SOIL BERM 4" HIGH X 8" WIDE, CENTERED AROUND 2/3 OF THE ROOT BALL ON THE DOWNHILL SIDE.
- ⑦ 4" MULCH LAYER. NO MORE THAN 1" MULCH TO COVER ROOT BALL.
- ⑧ FINISHED GRADE
- ⑨ DIG & TURN THE SOIL TO REDUCE COMPACTION TO THE AREA & DEPTH SHOWN. SLOPE SIDES.
- ⑩ EXISTING SOIL
- ⑪ REMOVE CONTAINERS, WIRE, BASKETS, ETC. PRIOR TO PLANTING. COMPLETELY REMOVE TWINE & BURLAP FROM B&B STOCK.
- ⑫ BOTTOM OF ROOT BALL TO REST ON EXISTING OR RECOMPACTED SOIL.



NOTES:

- 1. THE SPACING & SPECIES OF TREES SHALL CONFORM TO THE REQUIREMENTS OF THE PLANNING COMMISSION. ANY SUBSTITUTIONS MUST BE APPROVED BY LEHI CITY.
- 2. TREES SHOULD BE SELECTED BASED ON THE AREA'S SOIL & CLIMATE.
- 3. TREES SHALL BE KEPT:
 - a. OUTSIDE OF THE INTERSECTION SIGHT TRIANGLES AS DEFINED WITHIN SECTION 12 OF THE DEVELOPMENT CODE.
 - b. NOT LESS THAN 20' FROM LAMP STANDARDS & POWER POLES.
 - c. NOT LESS THAN 10' FROM FIRE HYDRANTS.
 - d. NOT LESS THAN 5' FROM SERVICE WALKS & DRIVEWAYS.
 - e. NOT LESS THAN 5' FROM WATER METERS.
- 4. THE DEVELOPER SHALL PAY THE INSTALLATION COST OF PARKWAY TREES. PARKWAY TREES SHALL BE INSTALLED ON ALL STREETS, IN CONFORMANCE TO THE STANDARD DETAILS, INCLUDING ARTERIAL STREETS, AS REQUIRED BY PLANNING & ZONING.
- 5. TREES TO BE INSPECTED BY LEHI CITY AT DELIVERY AND/OR PRIOR TO PLANTING TO ENSURE QUALITY & SIZE.
- 6. TREES TO BE INSPECTED DURING PLANTING BY LEHI CITY TO ENSURE PROPER INSTALLATION.
- 7. TREES MAY BE ACCEPTED AFTER 30 DAYS MAINTENANCE TIME FROM INSPECTION, PROVIDED IT IS WEED FREE & OF NORMAL ACCEPTABLE GROWTH FOR THE TIME OF YEAR.
- 8. PLANT TREE TO ITS NORMAL DEPTH & PUDDLE WITH A RUNNING STREAM OF WATER FROM A HOSE. PREPARE PLANTING HOLE & STAKE TREE (SEE DETAIL L3) AS REQUIRED BY CITY REPRESENTATIVE.

L2 TREE ON SLOPE 5% (20:1) – UNMODIFIED
SCALE: NTS

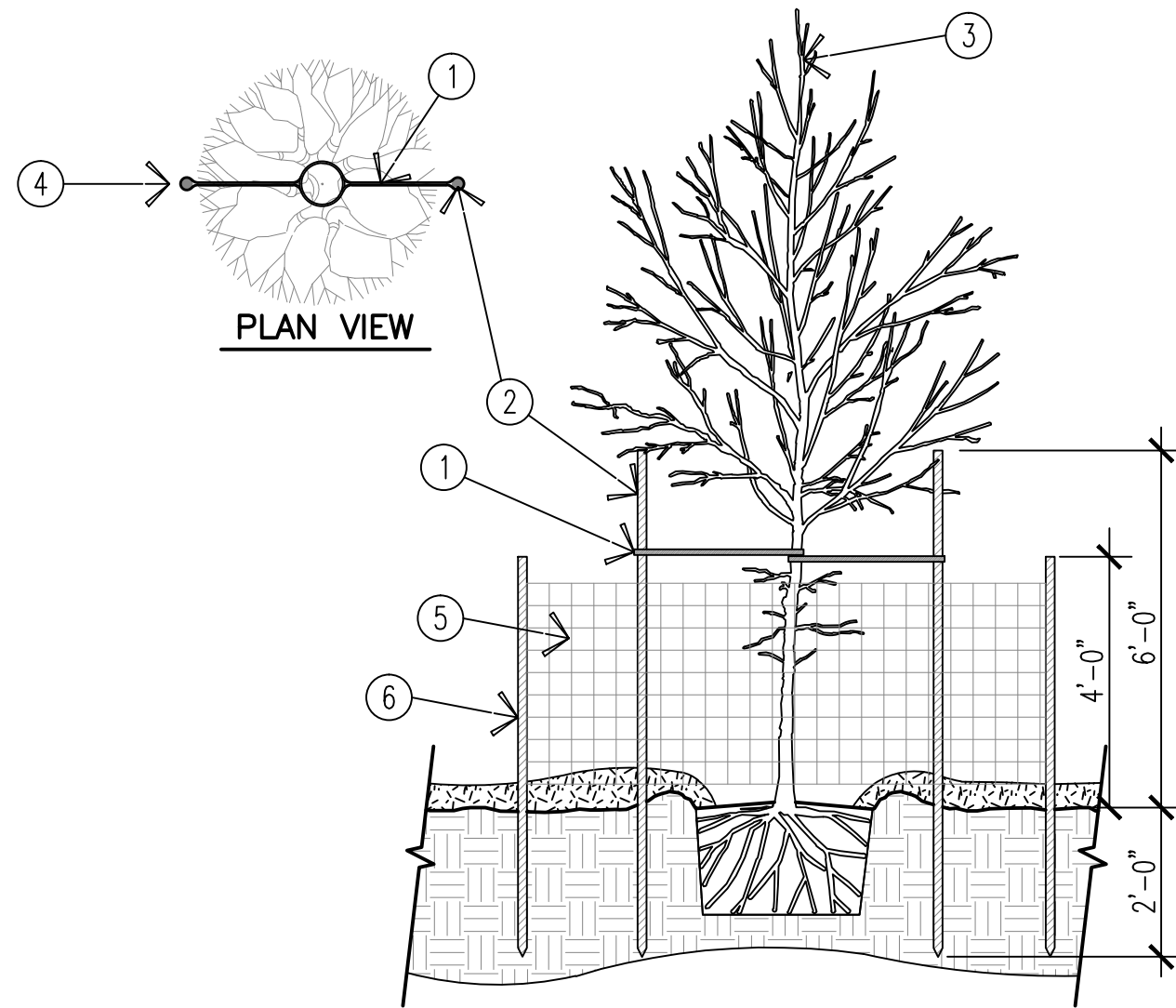
SECTION VIEW DETAIL



LEHI CITY
LANDSCAPE / IRRIGATION
STANDARD DETAILS
REQUIRED ON ALL CITY PROJECTS

PARKS DEPARTMENT
TYP. TREE PLANTING - SLOPE
SCALE : NO SCALE
DATE: 11/9/2016
REVISION:
REVISION DATE:

- ① 32" LONG NON-ABRASIVE RUBBER TIES
- ② 2, 1.1/2"-2" DIA. LODGE POLE PINE STAKES. INSTALL 2" FROM EDGE OF ROOT BALL & SHALL NOT INTERFERE WITH PERMANENT BRANCHES.
- ③ REMOVE NURSERY STAKE. IF CENTRAL LEADER NEEDS SUPPORT, ATTACH A 1/2" x 8' BAMBOO POLE TO TRUNK.
- ④ PREVAILING WIND
- ⑤ DEER FENCING
- ⑥ 6' POSTS SHALL BE INSTALLED 6' FROM BASE OF TREE TO SUPPORT DEER FENCING



NOTES:

1. STAKE ALL TREES THAT ARE DETERMINED TO REQUIRE A STAKE (CITY DISCRETION) AT THE TIME OF PLANTING.
2. PLACE TWO 1½ INCH – 2 INCH DIAMETER WOOD TREE STAKES 1 TO 2 FEET FROM THE CENTER & DRIVING STAKE 24 INCHES INTO SOLID GROUND. FASTEN THE TREE TO THE UPPER END OF THE STAKE IN AT LEAST TWO LOCATIONS USING "CINCH TIES" OR EQUIVALENT. METAL T-POSTS WILL NOT BE APPROVED AS TREE STAKES.

L3 TREE STAKING
SCALE: NTS

SECTION VIEW DETAIL

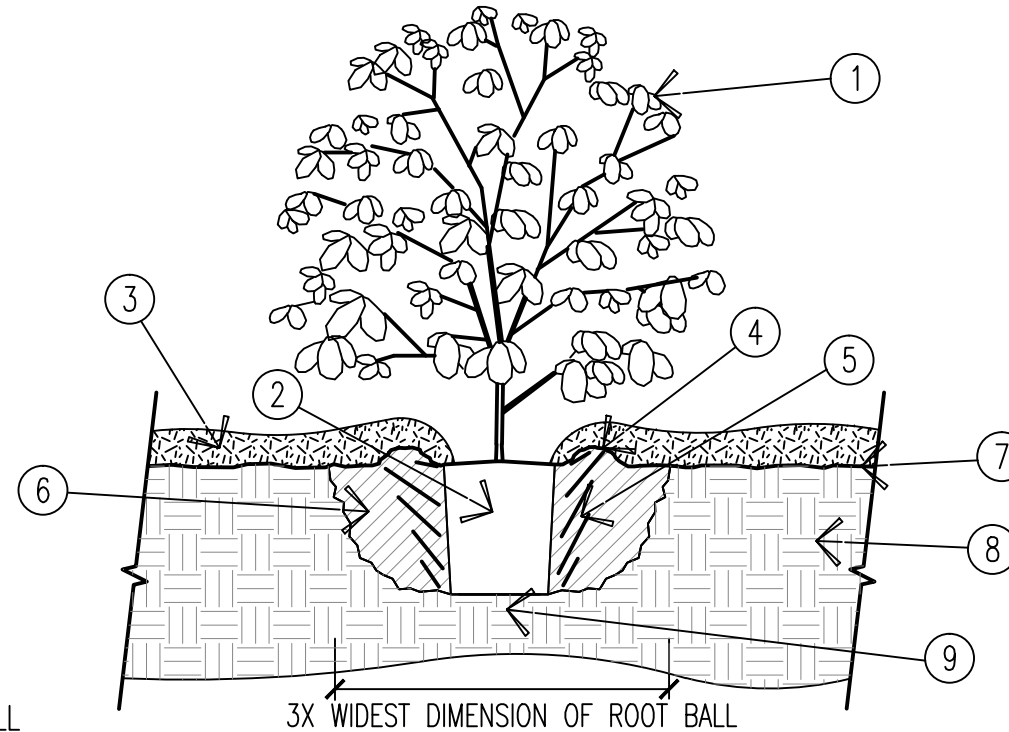


LEHI CITY
LANDSCAPE / IRRIGATION
STANDARD DETAILS
REQUIRED ON ALL CITY PROJECTS

PARKS DEPARTMENT
TREE STAKING
SCALE : NO SCALE
DATE: 11/9/2016
REVISION:
REVISION DATE:

NOTES:

1. ALL SHRUBS SHALL BE A MINIMUM 5 GALLON SIZE UNLESS WRITTEN APPROVAL IS OBTAINED & VARIETY, SIZE & SPACING IS STATED.
2. ALL CONTAINERS, WIRE BASKETS, ETC., SHALL BE REMOVED FROM SHRUBS PRIOR TO PLANTING. ALL B&B STOCK SHALL HAVE THE BAILING TWINE & BURLAP REMOVED.
3. ANY SHRUBS PLANTED TOO DEEP WILL NOT BE ACCEPTED. ROOT BALL SHALL BE LEVEL WITH FINISHED GRADE. ROOT COLLAR SHALL BE 2" ABOVE FINISHED GRADE.
4. SHRUBS SHOULD BE SELECTED BASED ON THE AREA'S SOIL & CLIMATE.
5. SHRUBS MAY BE ACCEPTED AFTER 30 DAYS MAINTENANCE TIME FROM INSPECTION, PROVIDED IT IS WEED FREE & OF NORMAL ACCEPTABLE GROWTH FOR THE TIME OF YEAR.
6. PLANT SHRUB TO ITS NORMAL DEPTH & PUDDLE WITH A RUNNING STREAM OF WATER FROM A HOSE.



- ① SHRUB
- ② ROOTBALL
- ③ 4" LAYER OF MULCH NO MORE THAN 1" MULCH TO COVER ROOT BALL.
- ④ ROUND-TOPPED SOIL BERM 4" HIGH X 8" WIDE SURROUNDING THE PERIPHERY OF THE ROOT BALL.
- ⑤ PRIOR TO MULCHING, LIGHTLY TAMP SOIL AROUND THE ROOT BALL IN 6" LIFTS TO BRACE TREE. DO NOT OVER COMPACT. POUR WATER AROUND THE ROOTBALL TO SETTLE THE BACKFILL.
- ⑥ DIG & TURN THE SOIL TO REDUCE COMPACTION TO THE AREA & DEPTH SHOWN. SLOPE SIDES.
- ⑦ FINISHED GRADE
- ⑧ EXISTING SOIL
- ⑨ BOTTOM OF ROOT BALL TO REST ON EXISTING OR RECOMPACTED SOIL.

M1 **SHRUB – UNMODIFIED SOIL**
 SCALE: NTS SECTION DETAIL

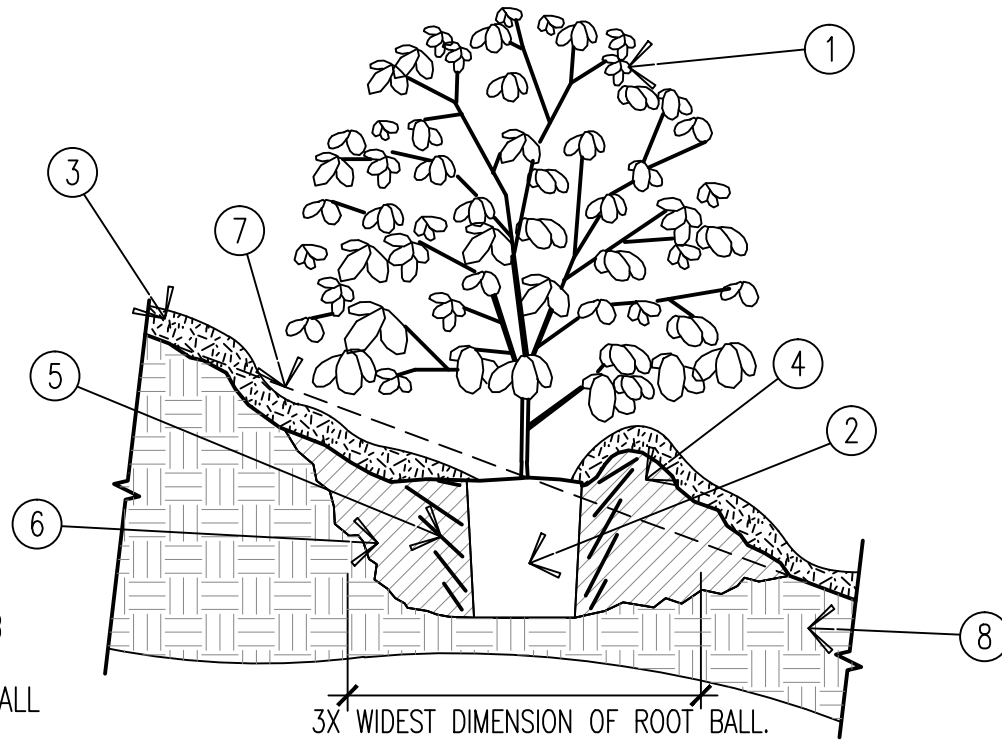


LEHI CITY
 LANDSCAPE / IRRIGATION
 STANDARD DETAILS
 REQUIRED ON ALL CITY PROJECTS

PARKS DEPARTMENT
TYP. SHRUB PLANTING
SCALE : NO SCALE
DATE: 11/9/2016
REVISION:
REVISION DATE:

NOTES:

1. THIS DETAIL TO BE USED FOR SHRUBS PLANTED ON A SLOPE BETWEEN 5% (20:1) & 50% (2:1).
2. ALL SHRUBS SHALL BE A MINIMUM 5 GALLON SIZE UNLESS WRITTEN APPROVAL IS OBTAINED & VARIETY, SIZE & SPACING IS STATED.
3. ALL CONTAINERS, WIRE BASKETS, ETC., SHALL BE REMOVED FROM SHRUBS PRIOR TO PLANTING. ALL B&B STOCK SHALL HAVE THE BAILING TWINE & BURLAP REMOVED.
4. ANY SHRUBS PLANTED TOO DEEP WILL NOT BE ACCEPTED. ROOT BALL SHALL BE LEVEL WITH FINISHED GRADE. ROOT COLLAR SHALL BE 2" ABOVE FINISHED GRADE.
5. SHRUBS SHOULD BE SELECTED BASED ON THE AREA'S SOIL & CLIMATE.
6. SHRUBS MAY BE ACCEPTED AFTER 30 DAYS MAINTENANCE TIME FROM INSPECTION, PROVIDED IT IS WEED FREE & OF NORMAL ACCEPTABLE GROWTH FOR THE TIME OF YEAR.
7. PLANT SHRUB TO ITS NORMAL DEPTH & PUDDLE WITH A RUNNING STREAM OF WATER FROM A HOSE.



- | | |
|---|--|
| <ul style="list-style-type: none"> ① SHRUB ② ROOTBALL ③ 4" LAYER OF MULCH NO MORE THAN 1" MULCH TO COVER ROOT BALL. ④ ROUND-TOPPED SOIL BERM 4" HIGH X 8" WIDE CENTERED ON THE DOWNHILL SIDE OF ROOT BALL PERIPHERY FOR 240°. ⑤ PRIOR TO MULCHING, LIGHTLY TAMP SOIL AROUND THE ROOT BALL IN 6" LIFTS TO BRACE TREE. DO NOT OVER COMPACT. POUR WATER AROUND THE ROOTBALL TO SETTLE THE BACKFILL. | <ul style="list-style-type: none"> ⑥ DIG & TURN THE SOIL TO REDUCE COMPACTION TO THE AREA & DEPTH SHOWN. SLOPE SIDES. ⑦ ORIGINAL SLOPE TO PASS THROUGH TRUNK BASE & SUBSTRATE/SOIL. ⑧ EXISTING SOIL ⑨ BOTTOM OF ROOT BALL TO REST ON EXISTING OR RECOMPACTED SOIL. |
|---|--|

M2 **SHRUB – SLOPE**

SCALE: NTS

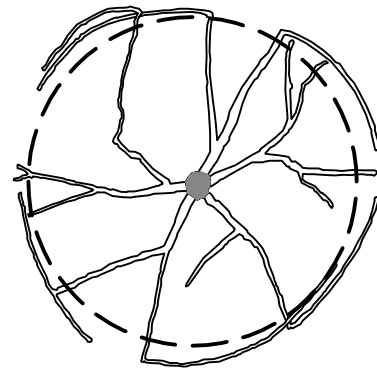
SECTION DETAIL



LEHI CITY
LANDSCAPE / IRRIGATION
STANDARD DETAILS
REQUIRED ON ALL CITY PROJECTS

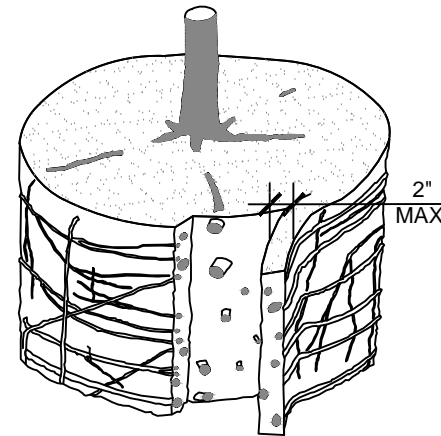
PARKS DEPARTMENT
TYP. SHRUB PLANTING - SLOPE
SCALE : NO SCALE
DATE: 11/9/2016
REVISION:
REVISION DATE:

BEFORE SHAVING



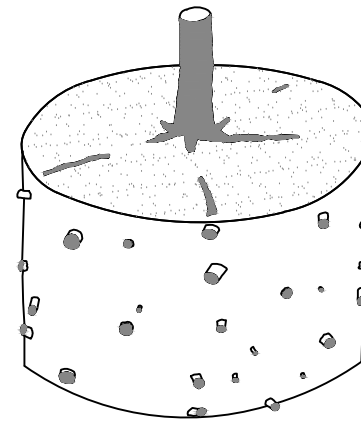
SHAVE ROOT BALL TO REMOVE ALL ROOTS GROWING ON PERIPHERY.

SHAVING PROCESS



SHAVE OUTER PERIPHERY OF THE ROOT BALL, A MAXIMUM OF 2" THICK.

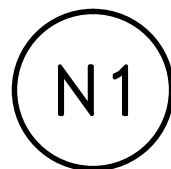
SHAVING COMPLETE



ROOT TIPS EXPOSED AT PERIPHERY OF ROOT BALL. ALL ROOTS GROWING AROUND PERIPHERY ARE REMOVED.

NOTES:

1. SHAVING TO BE CONDUCTED USING A SHARP BLADE OR HAND SAW ELIMINATING NO MORE THAN NEEDED TO REMOVE ALL ROOTS ON THE PERIPHERY OF ROOT BALL.
2. SHAVING CAN BE PERFORMED IMMEDIATELY PRIOR TO PLANTING OR AFTER PLACING PLANT IN THE HOLE.



ROOT BALL SHAVING

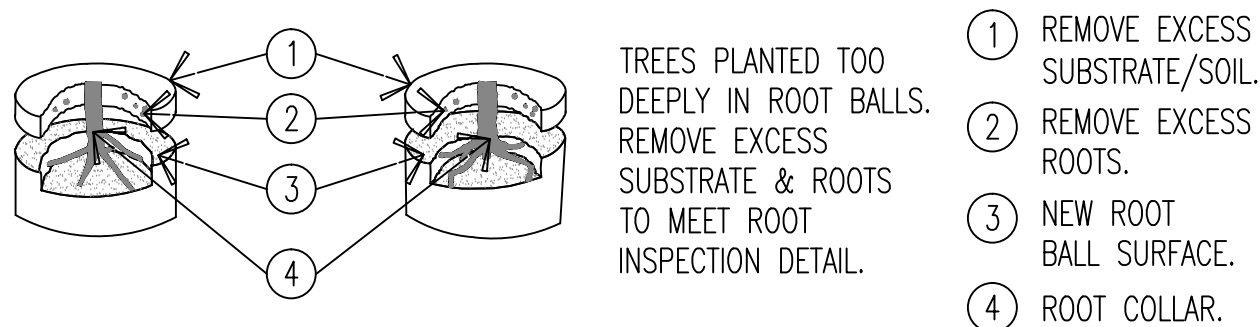
SCALE: NTS

SECTION DETAIL

NOTES:

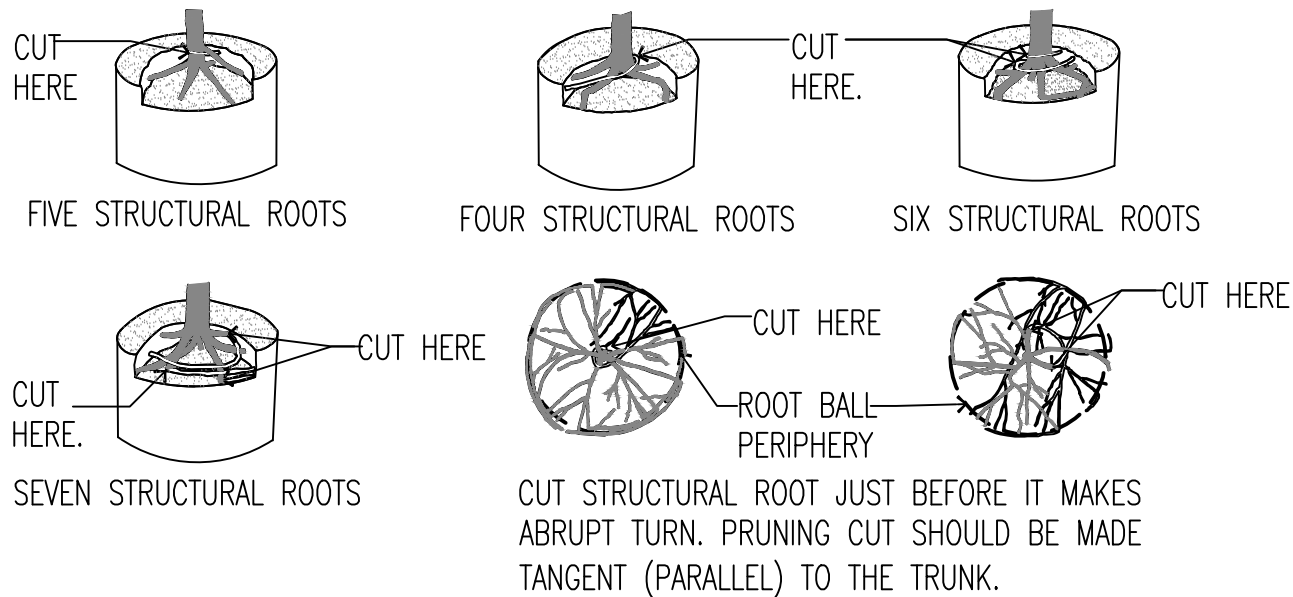
1. ALL TREES SHOWN ARE REJECTABLE UNLESS THEY UNDERGO THE RECOMMENDED CORRECTIONS.
2. FIRST STEP 1, THEN STEP 2. ROOTS & SOIL MAY BE REMOVED DURING THE CORRECTION PROCESS; SUBSTRATE/SOIL SHALL BE REPLACED AFTER CORRECTION HAS BEEN COMPLETED.
3. TREES SHALL MEET ROOT OBSERVATIONS DETAIL FOLLOWING CORRECTION.
4. SMALL ROOTS (1/4" OR LESS) ON THE PERIPHERY OF THE ROOT BALL ARE COMMON WITH CONTAINER PLANT PRODUCTION. THESE SMALL ROOTS ARE NOT DEFINED AS "DEFECTS" & CAN BE ADDRESSED AT THE TIME OF INSTALLATION (SEE ROOT BALL SHAVING CONTAINER DETAIL).

STEP 1 – REMOVE SUBSTRATE OVER ROOT COLLAR.



STEP 2 – REMOVE DEFECTS.

STRUCTURAL ROOTS SHOWN IN GRAY. REMOVE ROOTS GROWING OVER OR WRAPPING AROUND STRUCTURAL ROOTS AS SHOWN.

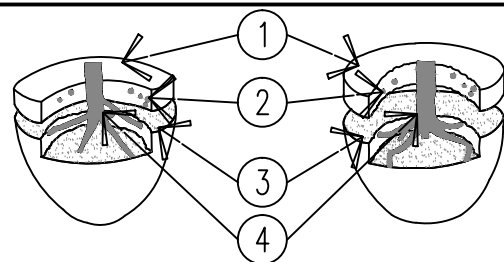


N2 **ROOT CORRECTION—CONTAINER**
 SCALE: NTS SECTION DETAIL

NOTES:

1. ALL TREES SHOWN ARE REJECTABLE UNLESS THEY UNDERGO RECOMMENDED CORRECTION.
2. FIRST STEP 1, THEN STEP 2. ADJUST HOLE DEPTH TO ALLOW FOR THE REMOVAL OF EXCESS SOIL & ROOTS OVER THE ROOT COLLAR.
3. ROOTS & SOIL MAY BE REMOVED DURING THE CORRECTION PROCESS; SUBSTRATE/SOIL SHALL BE REPLACED AFTER THE CORRECTION HAS BEEN COMPLETED.
4. TREES SHALL PASS ROOT OBSERVATIONS DETAIL FOLLOWING CORRECTION.

STEP 1 – REMOVE SUBSTRATE OVER ROOT COLLAR.

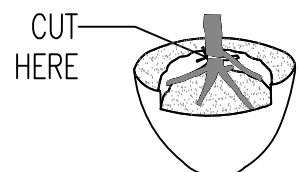


TREES PLANTED TOO DEEPLY IN ROOT BALLS. REMOVE EXCESS SUBSTRATE & ROOTS TO MEET ROOT INSPECTION DETAIL.

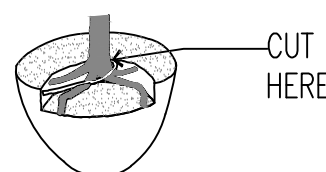
- ① REMOVE EXCESS SOIL.
- ② REMOVE EXCESS ROOTS.
- ③ NEW ROOT BALL SURFACE.
- ④ ROOT COLLAR.

STEP 2 – REMOVE DEFECTS.

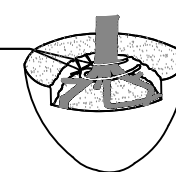
STRUCTURAL ROOTS SHOWN IN GRAY. REMOVE ROOTS GROWING OVER OR WRAPPING AROUND STRUCTURAL ROOTS AS SHOWN.



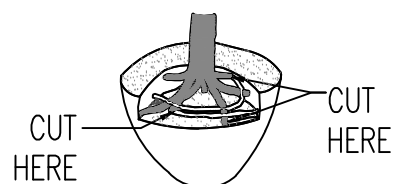
FIVE STRUCTURAL ROOTS



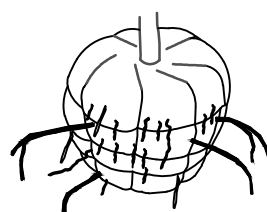
FOUR STRUCTURAL ROOTS



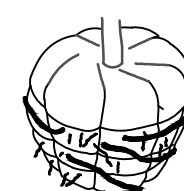
SIX STRUCTURAL ROOTS



SEVEN STRUCTURAL ROOTS



REMOVE STRUCTURAL ROOTS (4 SHOWN IN BLACK) EXTENDING FROM ROOT BALL.



REMOVE STRUCTURAL ROOTS (4 SHOWN) ON ROOT BALL PERIPHERY. ROOTS (1/4" OR LESS) ARE NOT DEFECTS & DO NOT NEED TO BE REMOVED.

N3

ROOT CORRECTION – B&B

SCALE: NTS

SECTION DETAIL

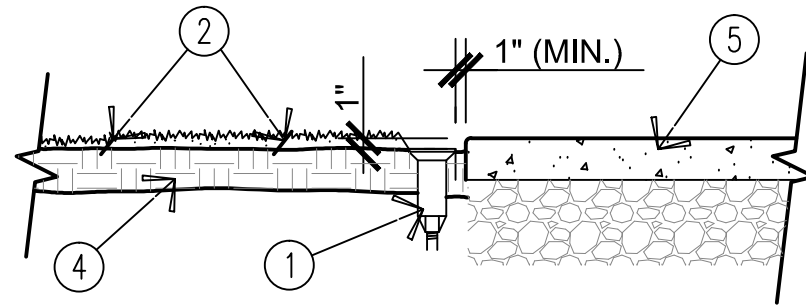


LEHI CITY
LANDSCAPE / IRRIGATION
STANDARD DETAILS
REQUIRED ON ALL CITY PROJECTS

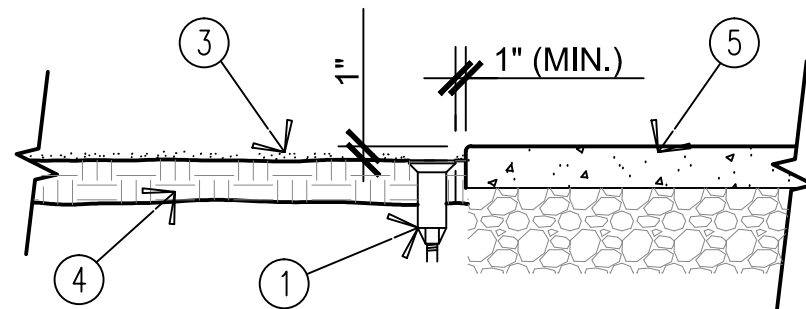
PARKS DEPARTMENT
ROOT CORRECTION - B&B
SCALE : NO SCALE
DATE: 11/9/2016
REVISION:
REVISION DATE:

INSTALL SOD OR SEED BED 1" BELOW TOP OF ADJACENT CONCRETE SITE ELEMENTS, AS SHOWN.

- ① POP UP SPRAY HEAD
- ② SOD WITH TIGHT, BEVELED JOINTS
- ③ GRASS SEED BED
- ④ AMEND SOIL AS REQUIRED BY TOPSOIL TEST REPORT
- ⑤ MOWSTRIP, CURB OR SIDEWALK



SOD INSTALLATION



GRASS SEED INSTALLATION

NOTES:

1. SOD MAY BE ACCEPTED 30 DAYS AFTER INSPECTION & AFTER MIN. FOUR CUTTINGS (ONCE EVERY 7 DAYS). IF SOD IMPROVEMENTS ARE NOT ACCEPTED AFTER THIS TIME PERIOD, DEVELOPER SHALL BE REQUIRED TO CONTINUE MAINTENANCE UNTIL ACCEPTED/APPROVED.
2. PREPARE LAWN AREAS AS SPECIFIED UNDER SOIL PREPARATION. SLOPE ALL AREAS TO DRAIN ACCORDING TO THE ARCHITECT'S DRAWINGS & APPROVAL FROM PUBLIC WORKS DEPARTMENT & PARKS DEPARTMENT.
3. RAKE SOD AREAS UNTIL THE SURFACE IS SMOOTH & OF UNIFORM TEXTURE PRIOR TO PLANTING THE TURF.
4. THE FINISH GRADE OF ALL SOD AREAS SHALL BE BETWEEN 0 & 1/4 INCHES BELOW THE SIDEWALK OR ADJACENT PAVEMENT AREAS.
5. SOD MUST BE INSTALLED DURING THE NORMAL GROWING SEASON. IF DORMANT SOD IS INSTALLED, IT WILL NOT BE ACCEPTED UNTIL THE FOLLOWING NORMAL GROWING SEASON.
6. LAY SOD WITH STAGGERED SEAMS.
7. AFTER SOD HAS BEEN LAID, IRRIGATE & THEN ROLL SOD WITH WATER ROLLER (50 POUND MIN. WEIGHT) TO LEVEL SOD & INSURE POSITIVE CONTACT WITH SOIL.
8. SELECT GRASS ACCORDING TO INTENDED USE, LOCATION & MAINTENANCE REQUIREMENTS. DROUGHT TOLERANT GRASSES SHOULD BE UTILIZED WITHIN ALL TURF AREAS.
9. REDUCE THE SIZE OF WATER SENSITIVE LAWNS WITH ENLARGED BEDS & HARDSCAPES. ELIMINATE LAWN AREAS THAT ARE DIFFICULT TO IRRIGATE, INCLUDING LONG & NARROW OR SMALL & ODD-SHAPED AREAS.
10. APPLY COMMERCIAL GRADE FERTILIZER AS PER THE FOLLOWING SPECIFICATIONS:
 - a. 46-0-0 WITH DIMENSION COATED NITROGEN (PRE-EMERGENT) FROM JANUARY 1ST TO MAY 31ST AT A RATE OF 2 POUNDS PER 1,000 SQ. FT.
 - b. 25-5-6 FROM JUNE 1ST TO AUGUST 31ST AT A RATE OF 4 POUNDS PER 1,000 SQ. FT.
 - c. 46-0-0 (50% SLOW RELEASE) SULPHUR COATED UREA FROM SEPTEMBER 1ST TO DECEMBER 31ST AT A RATE OF 2 POUNDS PER 1,000 SQ. FT.

P1 SOD & SEED LAWN INSTALLATION
SCALE: NTS

SECTION VIEW DETAIL



**LEHI CITY
LANDSCAPE / IRRIGATION
STANDARD DETAILS
REQUIRED ON ALL CITY PROJECTS**

PARKS DEPARTMENT
TYP. SOD/SEED INSTALLATION
SCALE : NO SCALE
DATE: 11/9/2016
REVISION:
REVISION DATE: